

A2126 Triple Balanced Mixer

2.0 to 26.0 GHz

Technical Characteristics

Product Features
Multi-octave bandwidth
Broad frequency - input and output
Wide DC to IF frequency response
Low conversion loss
High port-to-port isolation

Maximum Ratings	
Storage Temperature	-65 to +150°C
Operating Temperature Peak	-55 to +125°C
Peak Input Power For Any Port	+24dBm Peak
Specifications @	25°C

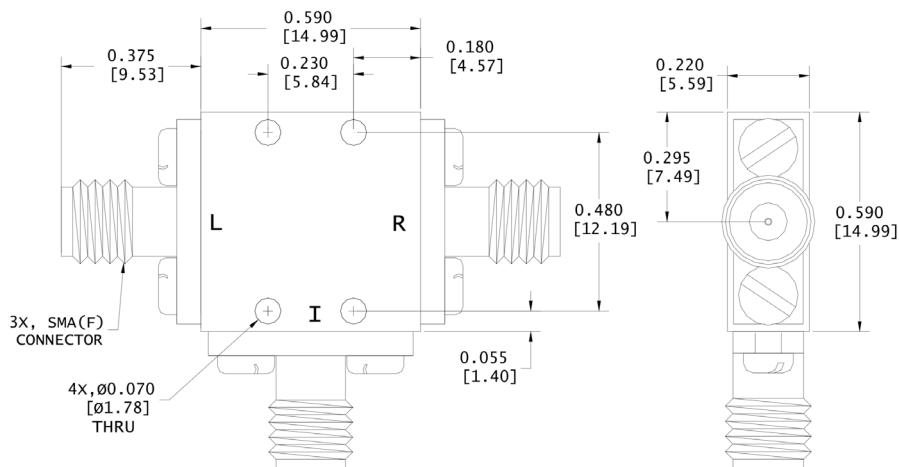
Parameters	Freq. (GHz)	Minimum	Typical	Maximum	Units	Conditions
Conversion Loss						
RF Input	2.0 to 26.0		8.5	12.0	dB	
LO Input	2.0 to 26.0					
IF Output	0.5 to 8.0					
Isolation						
LO-RF		20.0	38.0		dB	
LO-IF		20.0	30.0		dB	
RF-IF			25.0		dB	
VSWR			2.5:1			
1dB Comp.Point						
LO Drive A2126M			13.0		dBm	
3rd Order Intercept Point A2126M			14.0		dBm	

NOTES:

1. Measured in a 50-ohm system with nominal LO drive and downconverter application only, unless otherwise specified. The I-Port frequency range extends to DC for phase detection, pulse modulation, or attenuator applications. I-Port VSWR degrades from a 50-ohm system at low IF frequencies.

2. Typical values are measured at +25°C and are not guaranteed.

Package outline 'Z'



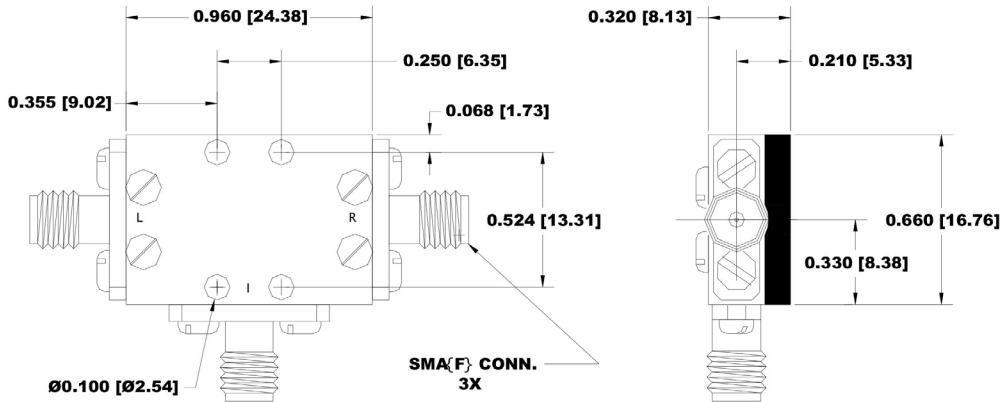
DISCLAIMER: Subject to change without notice.
Rev(B) 03/12/19

A2126 Triple Balanced Mixer

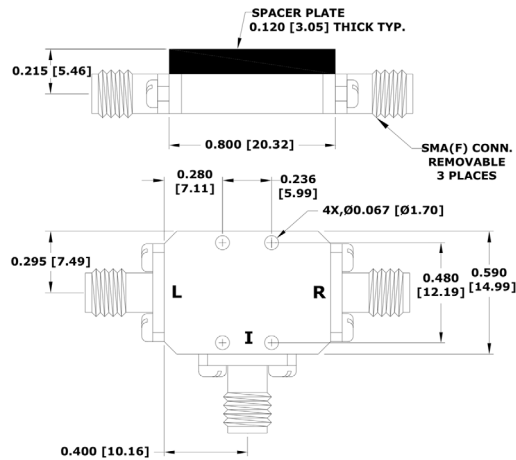
2.0 to 26.0 GHz

Outline Drawings 1 of 2

Package outline 'B'



Package outline 'L'



Drop in Package outline 'E1'

